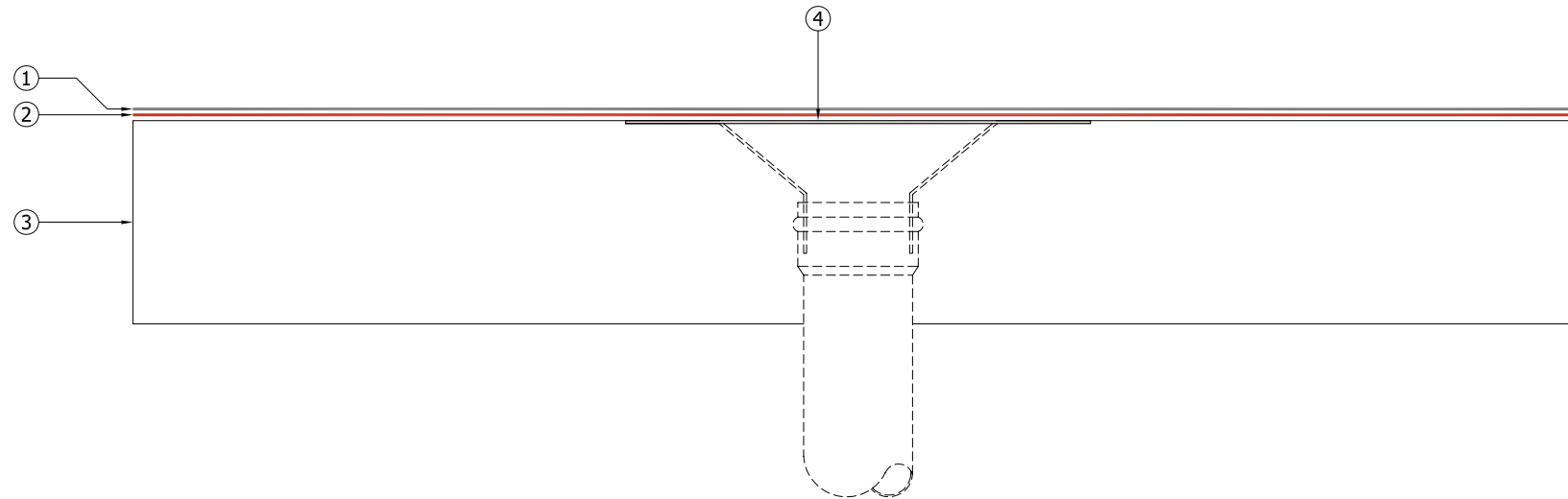


Key

- ① — Decothane Top Coat as per Sika Liquid Plastics Project Specification
- ② — Decothane Base Coat with embedded Reemat Premium GFM
- ③ Existing substrate prepared and primed in strict accordance with Sika Liquid Plastics Project Specification
- ④ Suitable mechanically fixed recovery plate installed over redundant outlets to prevent raising of the deck application level; component used must be appropriately primed prior to fully reinforced Decothane Base Coat application



Sika Liquid Plastics
Sika House
Miller Street
Preston
Lancashire PR1 1EA
Telephone: 01772 259781
Email: technical.customer.services@uk.sika.com
Web: www.liquidplastics.co.uk

This drawing is solely intended to illustrate the correct application of Sika Liquid Plastics products and systems, it must be read in conjunction with the appropriate specification and current issue of relevant Technical Data Sheets. All elements bearing reference to structural and/or thermal design are shown indicatively and **should not be used** in whole or in part for any aspect of project design without consulting the relevant authorities.

For refurbishment projects, all aspects of the existing roof are deemed to be fully compliant with BS 6229:2003 (Code of Practice for Flat Roofs with Continuously Supported Coverings) or improved upon for instances where these standards are not met.

Site-specific details not covered by our range of Standard Details can be obtained by providing relevant information to the email address shown.

Project N^o

DWG N^o Revision

Project:

Drawing Title:
Waterproofing Application Detail
to a redundant internal outlet

Scale: NTS @ A3 Drawn:

Date:

